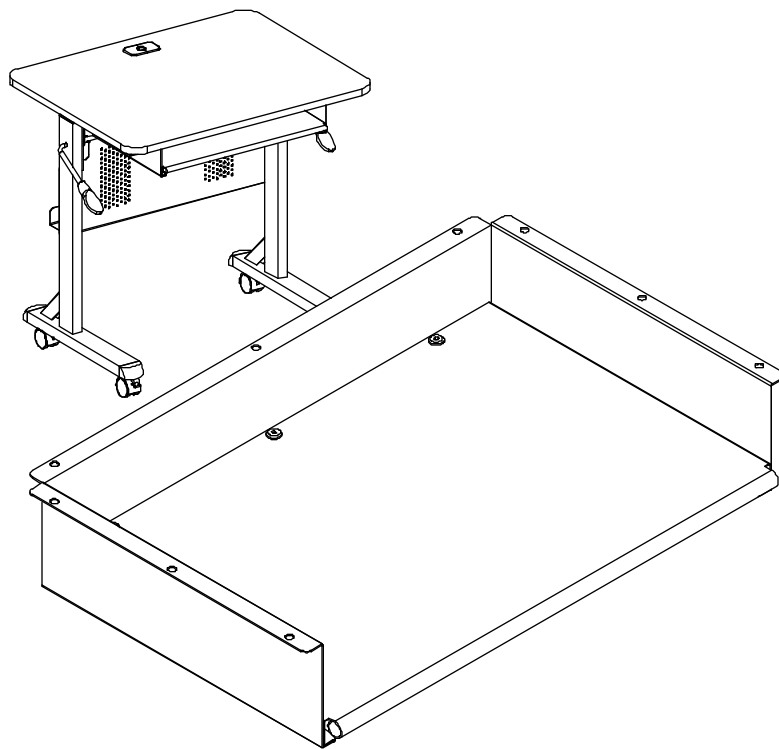




BLT-34402

Metal Bookbox

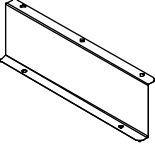



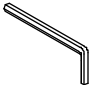



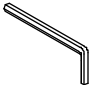



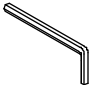
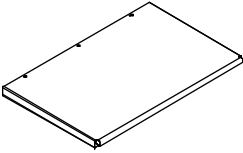
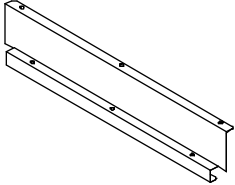


Assembly Instructions



BLT-34402

Metal Bookbox

Part	Drawing	Description	Qty	Part	Drawing	Description	Qty																
P1		Bookbox Side	2 EA	<div style="border: 1px solid black; border-radius: 15px; padding: 10px;"> <p style="text-align: center;">Hardware List</p> <table style="width: 100%; border-collapse: collapse;"> <tr> <td style="width: 5%;">A</td> <td style="width: 15%;"></td> <td style="width: 60%;">9/16" Socket Screw</td> <td style="width: 20%;">7 EA</td> </tr> <tr> <td>A1</td> <td></td> <td>#10 x 5/8" Wood Screw</td> <td>9 EA</td> </tr> <tr> <td>B</td> <td></td> <td>Square Nut M6</td> <td>7 EA</td> </tr> <tr> <td>C</td> <td></td> <td>Allen Wrench</td> <td>1 EA</td> </tr> </table> <p style="text-align: center;"><i>We recommend that you assemble this unit on a table.</i></p> </div>				A		9/16" Socket Screw	7 EA	A1		#10 x 5/8" Wood Screw	9 EA	B		Square Nut M6	7 EA	C		Allen Wrench	1 EA
A		9/16" Socket Screw	7 EA																				
A1		#10 x 5/8" Wood Screw	9 EA																				
B		Square Nut M6	7 EA																				
C		Allen Wrench	1 EA																				
P2		Bookbox Bottom	1 EA																				
P3		Bookbox Back	1 EA																				

Missing Parts or UPS Damaged Parts

For Your Convenience you can

EMAIL us at

furniture@baltinc.com**24HOURS 7 DAYS A WEEK*****Should you require assistance during assembly,******please call our Customer Service Department******Monday - Friday 8 a.m. - 5 p.m.******Central Standard Time 1-800-749-2258***

Do not use unless all screws are tight. At least every six months, check all screws to be sure they are tight. If parts are missing, broken, damaged, or worn, stop use of the product until repairs are made by your dealer using factory authorized parts.

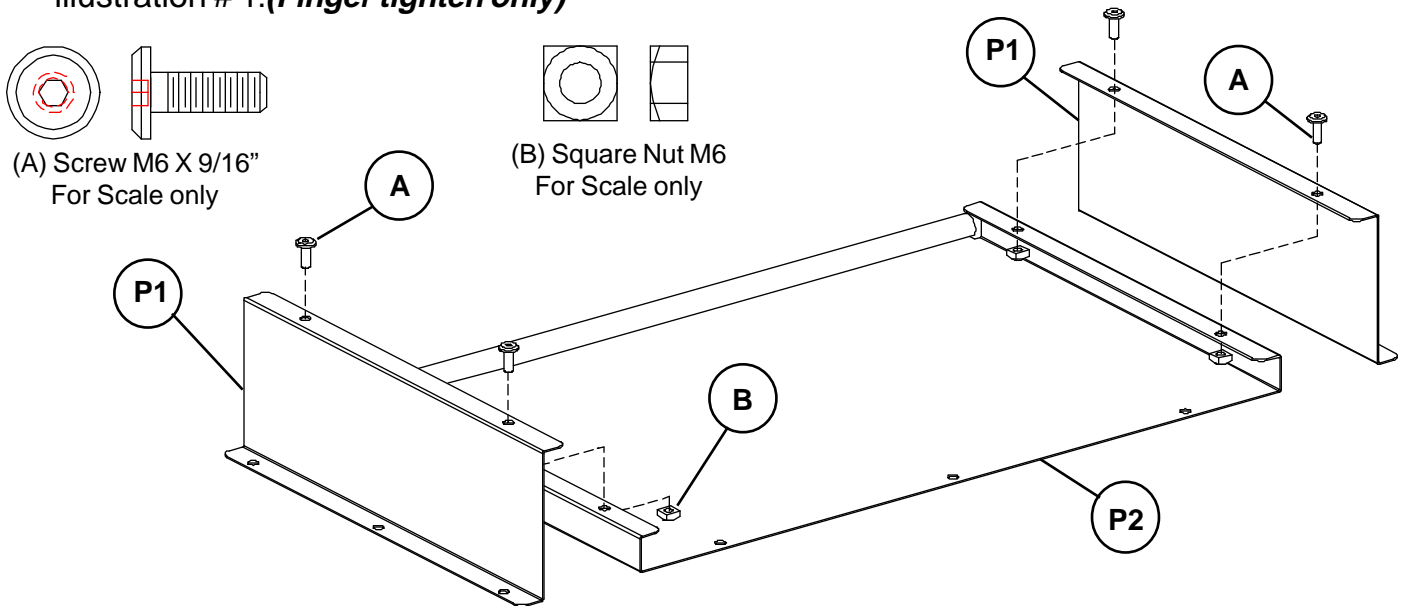
Metal Bookbox Assembly Diagram



READ THROUGH INSTRUCTIONS FROM BEGINNING TO END BEFORE STARTING TO ASSEMBLE UNIT.

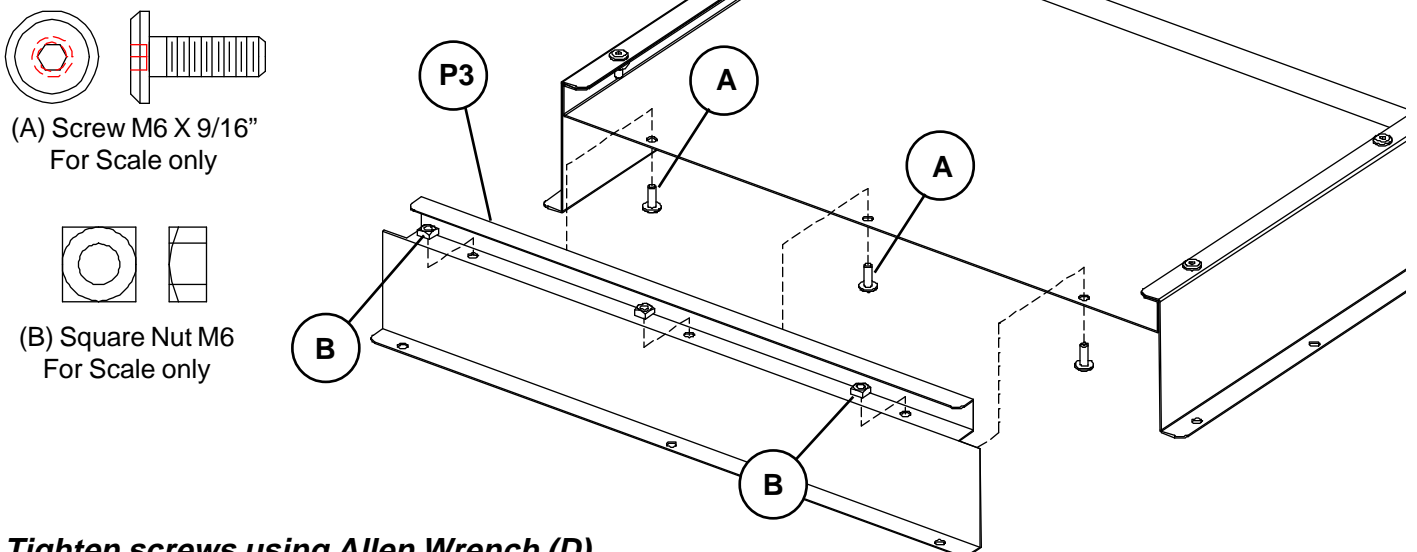
Illustration #1

- 1.) Identify and Separate all the Parts and Hardware.
- 2.) Attach 2 Bookbox Sides (P1) to the Bookbox Bottom (P2) using 4 each (A) Screws and 4 each (B) Square nuts as shown in illustration # 1. **(Finger tighten only)**



- 3.) Attach 1 Bookbox Back (P3) to the Bookbox Bottom (P2) using 3 each (A) Screws and 3 each (B) Square nuts as shown in illustration # 2.

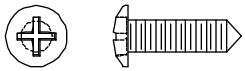
Illustration #2



Tighten screws using Allen Wrench (D)

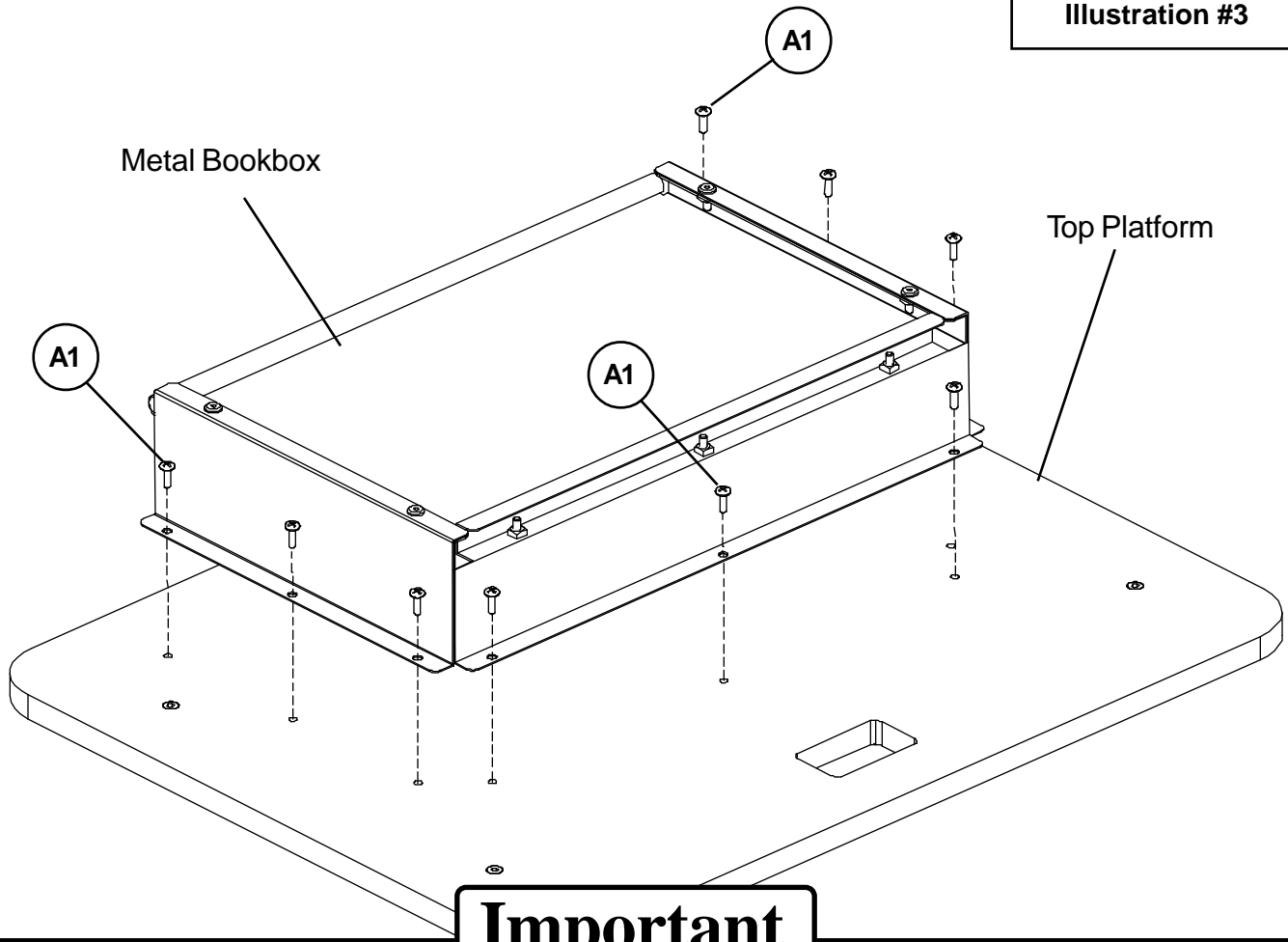


4.) Attach Metal Bookbox to Top Platform using 9 each Screws (A1) as shown in illustration #3.



(A1) Screw #10X5/8"
For Scale only

Illustration #3



Important

The Balt product you have purchased is guaranteed against material and workmanship defects. This guarantee extends 1 year from date of purchase. Should this product fail to function satisfactorily under normal use due to defect or imperfection, the defective part or product will be replaced. Damage caused by common carriers during shipment is not included in this guarantee.

This guarantee sets forth all applicable guarantees and remedies. No other warranty, expressed or implied shall apply. Failure to follow instructions found in Important Information Section of Owner Sheet shall void the guarantee. Consequential or incidental damages and or costs are not refundable.