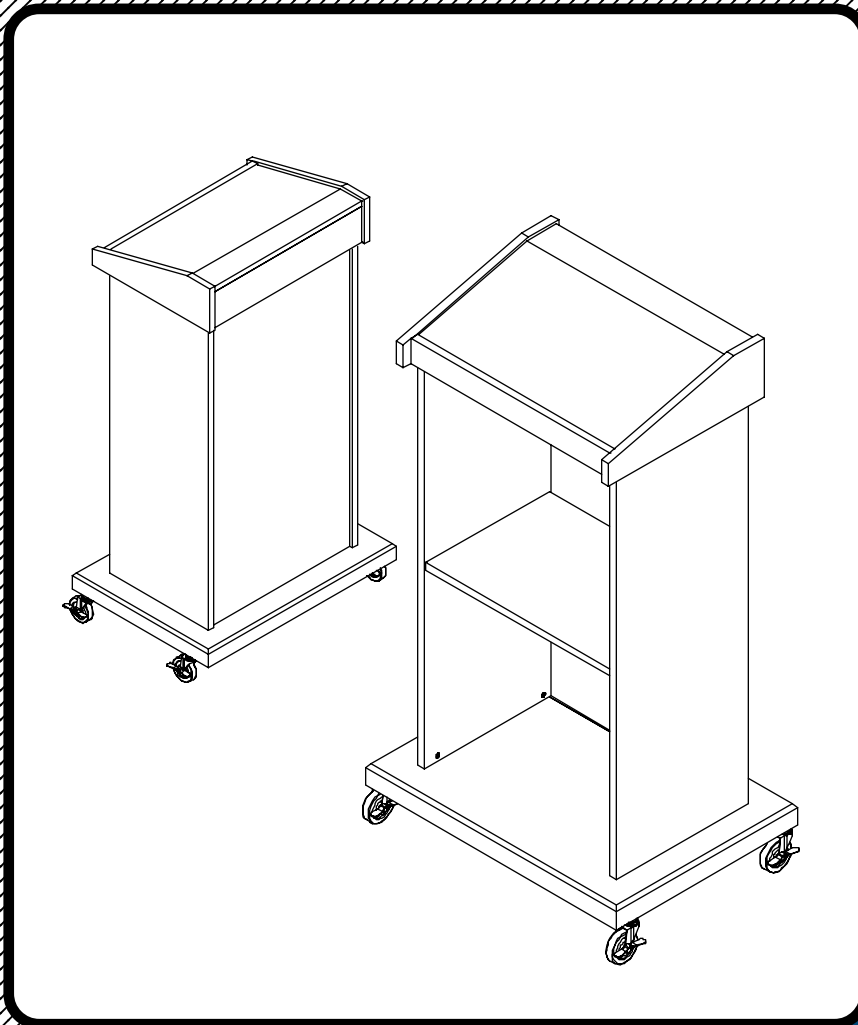




# Lectioneer

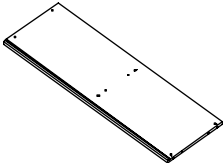
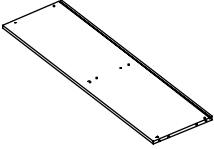
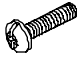
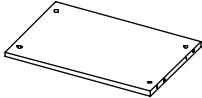

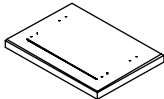

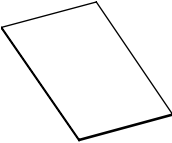

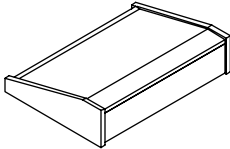
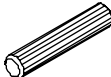


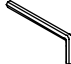

AV / Presentation Stand



## Assembly Instructions

# Lectioneer

## AV/Presentation Stand

Part	Drawing	Description	Qty	Part	Drawing	Description	Qty
P-1		Right Side	1 EA	<b>Hardware List</b>			
P-2		Left Side	1 EA	A		6mmX1¼" Phil Head Screw	8 EA
P-3		Shelf	1 EA	B		6mm Interior Threaded Cam	4 EA
P-4		Base	1 EA	C		Flat Washer	4 EA
P-5		Front Panel	1 EA	D		3" Locking Caster	4 EA
P-6		Top Platform	1 EA	E		Wood Dowel	8 EA
<p>Tools required: Standard Flat Head Screwdriver and/or Phillips Head Screwdriver</p>				F		Cam Lock	4 EA
				G		1" Cam Post	4 EA
				H		Allen Wrench	1 EA
				J		Caster Wrench	1 EA
				<p><b>Missing Parts or UPS Damaged Parts</b>            For Your Convenience you can            EMAIL us at  <b><u><a href="mailto:furniture@baltinc.com">furniture@baltinc.com</a></u></b>            24HOURS 7 DAYS A WEEK</p>			

# Lectioneer Assembly Diagram

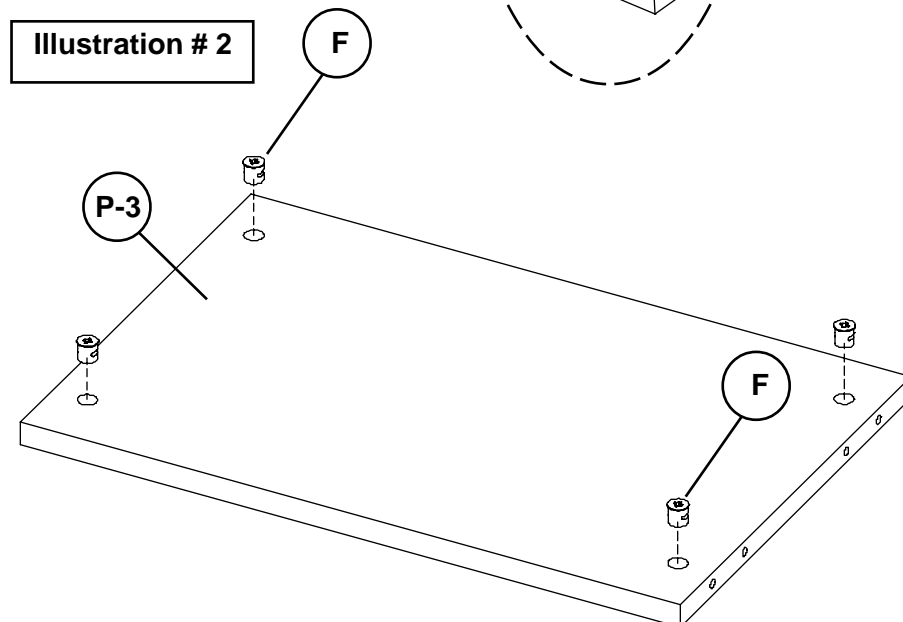
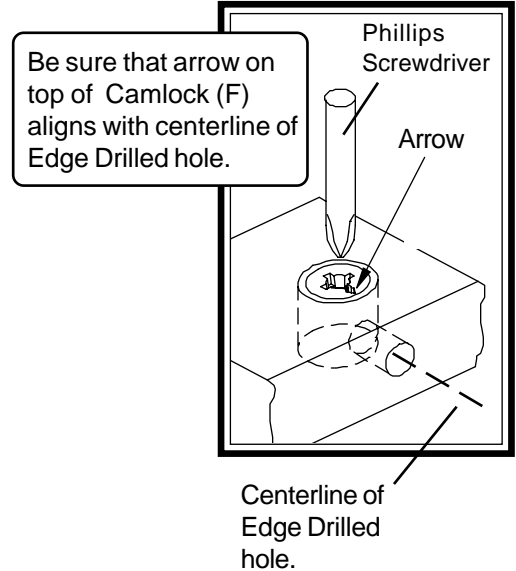
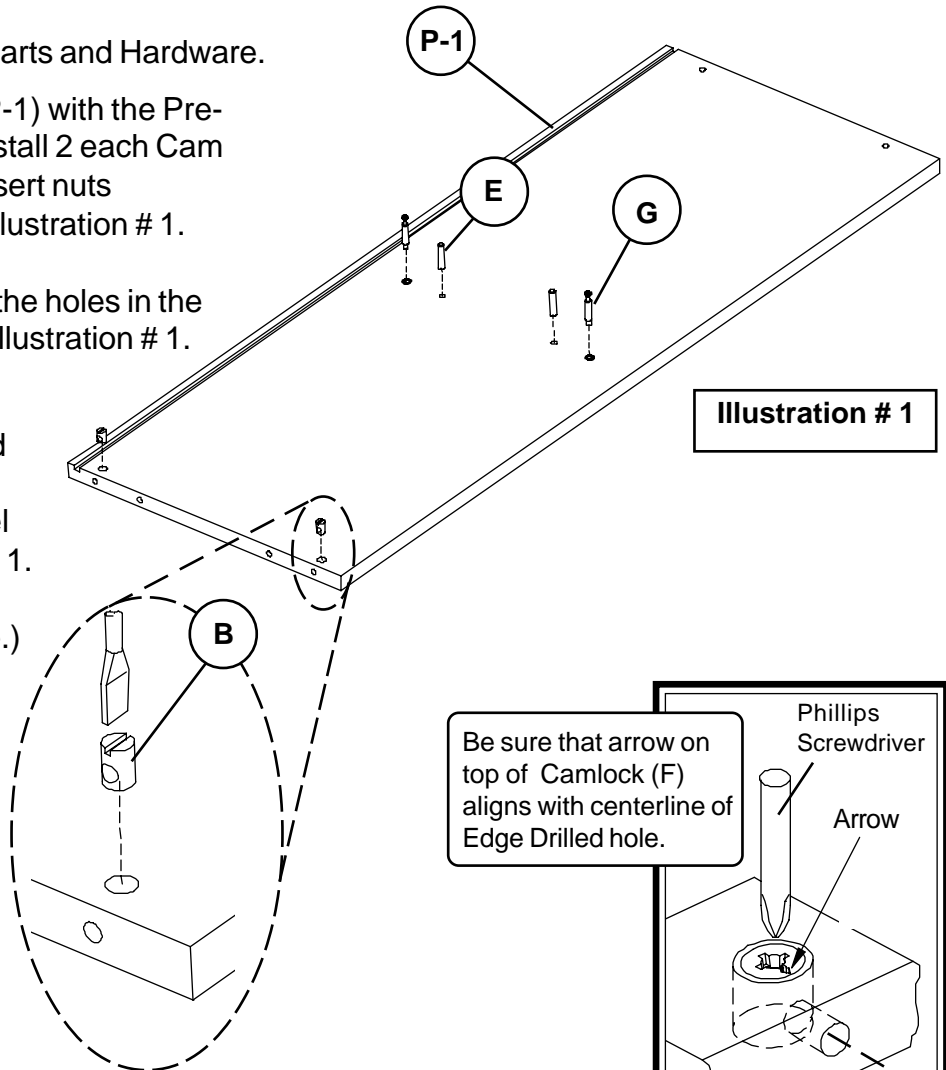
*Should you require assistance during assembly,  
please call our Customer Service Department  
Monday - Friday 8 a.m. - 5 p.m.  
Central Standard Time  
Toll-Free Customer Service  
**1-800-749-2258***

Read through assembly instruction from beginning to end before starting to assemble product.

## To Assemble:

Identify and Separate all the Parts and Hardware.

1. Place the Right Side Panel (P-1) with the Pre-drilled holes facing up and install 2 each Cam Posts (G) in the 2 threaded insert nuts (Pre-installed) as shown in illustration # 1.
2. Insert 2 each Dowels (E) into the holes in the Right Side (P-1) as shown in illustration # 1.
3. Insert 2 each Interior Threaded Cams (B) into the holes at the bottom of the Right Side Panel (P-1) as shown in illustration # 1. (Use Flat Screwdriver to align threads with edge Drilled Hole.)
4. Repeat Steps 1-3 for the Left Side Panel (P-2).



5. Place the Middle Shelf (P-3) with the Pre-drilled holes facing up and install 4 each Cam Locks (F) into the large holes as shown in illustration # 2.

To Secure Cam Locks, Insert Allen Wrench (H), or Large Phillips Head Screwdriver and turn Cam Lock 1/4 turn (90 degrees) clockwise.

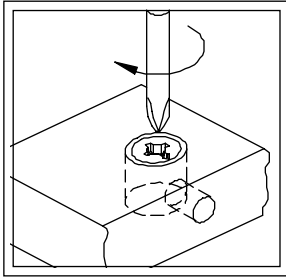
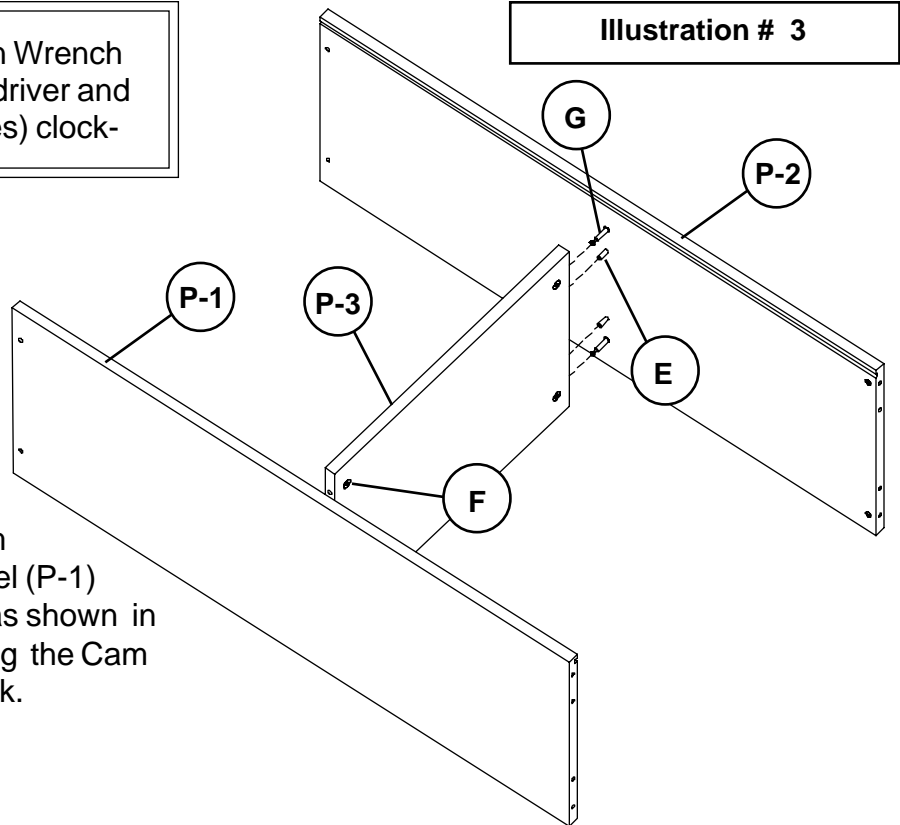
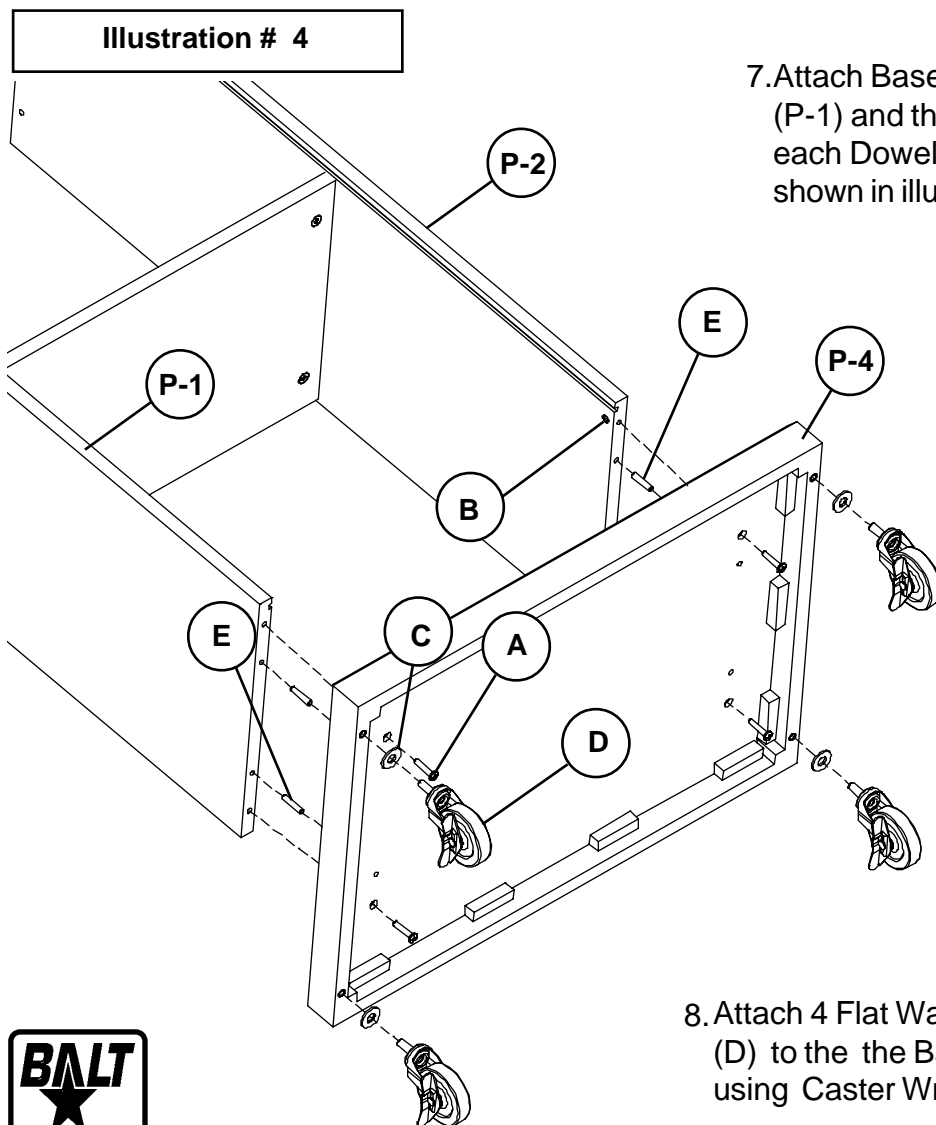


Illustration # 3



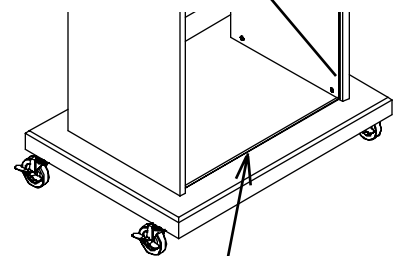
6. Slide the Middle shelf (P-3) over the 2 Dowels (E) & 2 Cam Posts (G) in the Right side Panel (P-1) and the Left Side Panel (P-2) as shown in illustration #3. Secure by turning the Cam Locks (F) 1/4 Turn until they lock.

Illustration # 4



7. Attach Base (P-4) to the Right side Panel (P-1) and the Left Side Panel (P-2) using 4 each Dowels (E) and 4 each Screws (A) as shown in illustration #7.

Slot in Left Side Panel (P-2)



[Note: Slot in front of base (P-4) should align with slot in Left and Right side Panels (P-1 & P-2).]

8. Attach 4 Flat Washers (C) and 4 Locking Casters (D) to the the Base (P-4). Tighten all Casters using Caster Wrench (J).



Do not use unless all screws are tight. At least every six months, check all screws to be sure they are tight. If parts are missing, broken, damaged, or worn, stop use of the product until repairs are made by your dealer using factory authorized parts.

Illustration # 5

9. Slide Front Panel (P-5) from top down into slot in the Right Side (P-1) and the Left Side (P-2) as shown in illustration # 5.

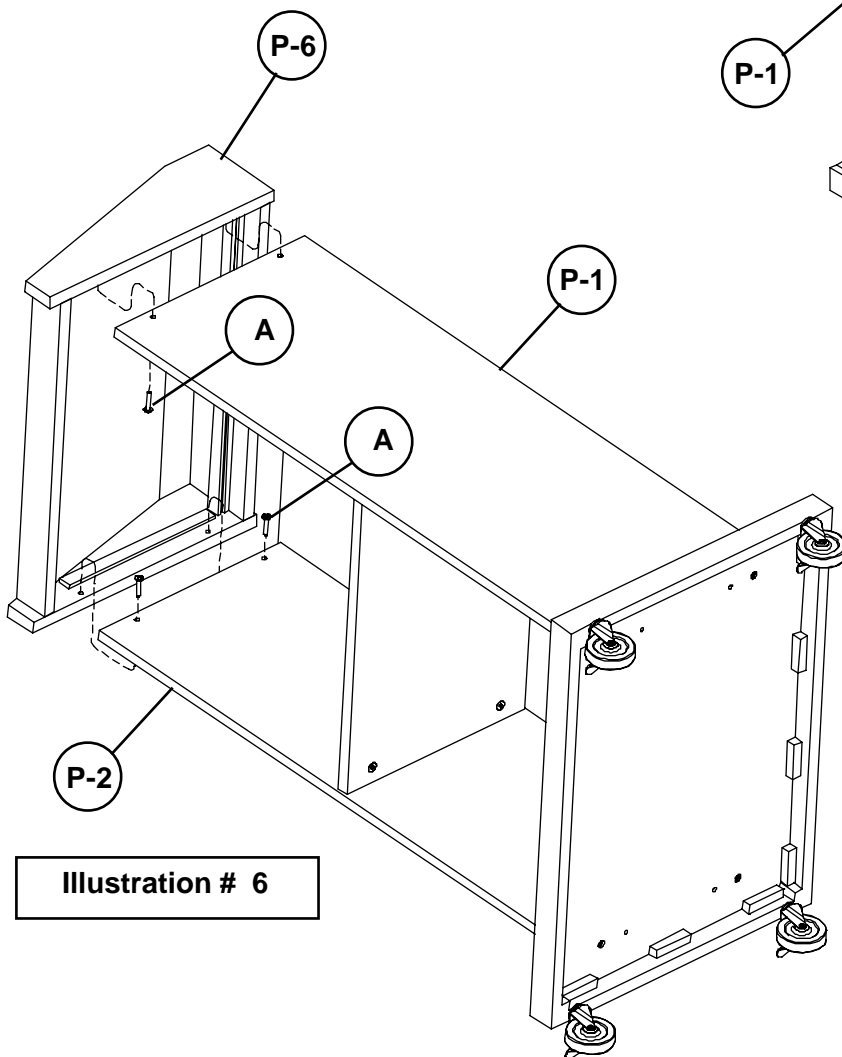
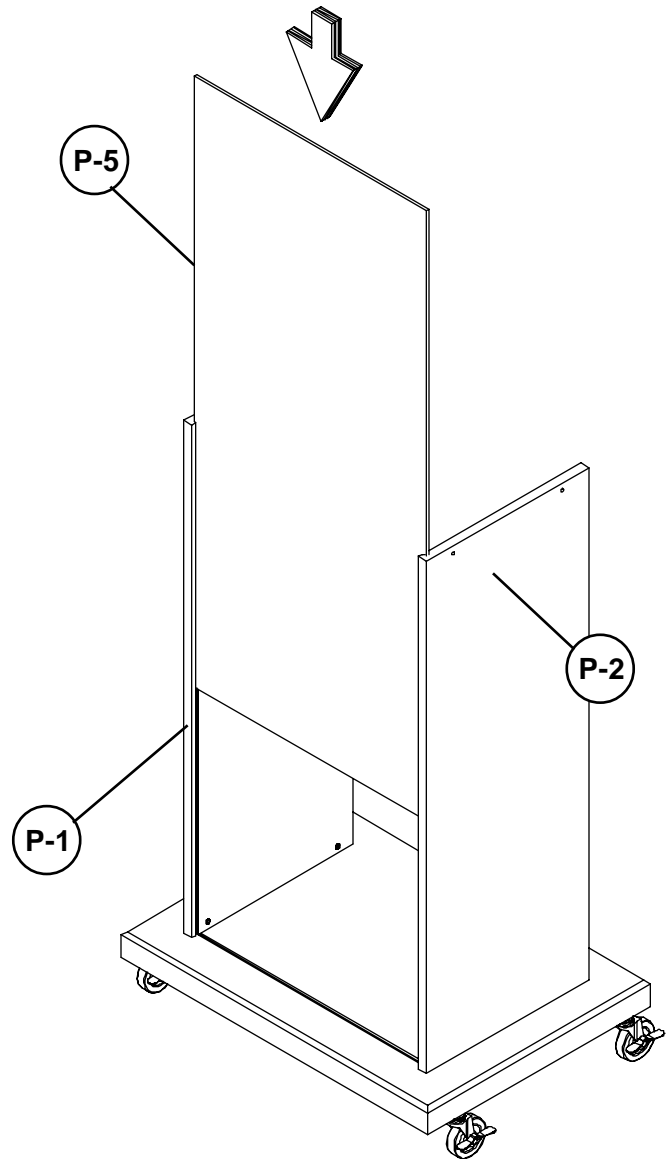


Illustration # 6

10. Attach Top Platform (P-6) to the Right Side (P-1) and the Left Side (P-2) using 4 each Screws (A) as shown in illustration # 6.