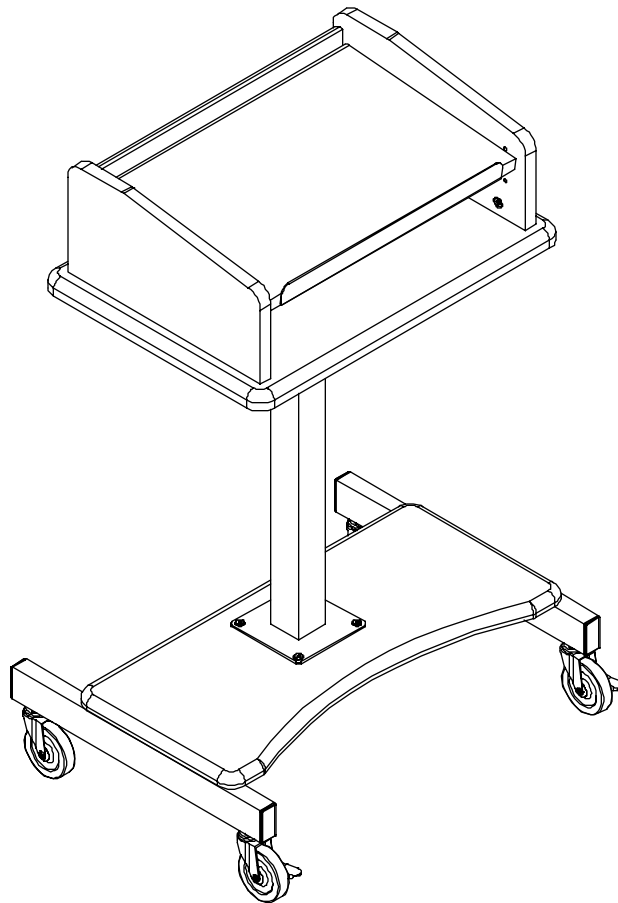


BALT[®]

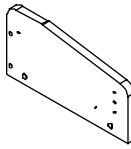

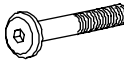




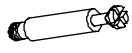
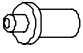




Pneu-Lect
Adjustable Height Presentation Stand



Assembly Instructions

Pneu-Lect

Adjustable Height Presentation Stand

Part	Drawing	Description	Qty	Part	Drawing	Description	Qty
P-1		Left Side Panel	1 EA	<div style="text-align: center;">Hardware List</div> <div style="display: flex; justify-content: space-between;"> <div style="width: 15%;">A</div> <div style="width: 60%;">  1/2" Flat Head Screw </div> <div style="width: 15%;">6 EA</div> </div> <div style="display: flex; justify-content: space-between;"> <div>B</div> <div>  2 1/2" Flat Head Screw </div> <div>4 EA</div> </div> <div style="display: flex; justify-content: space-between;"> <div>C</div> <div>  Adjustment Knob (Attached to Cylinder(P-8)) </div> <div>1 EA</div> </div> <div style="display: flex; justify-content: space-between;"> <div>D</div> <div>  3" Locking Caster (for front) </div> <div>2 EA</div> </div> <div style="display: flex; justify-content: space-between;"> <div>E</div> <div>  3" Caster (for Back) </div> <div>2 EA</div> </div> <div style="display: flex; justify-content: space-between;"> <div>F</div> <div>  Cam Lock </div> <div>8 EA</div> </div> <div style="display: flex; justify-content: space-between;"> <div>G</div> <div>  Cam Post </div> <div>8 EA</div> </div> <div style="display: flex; justify-content: space-between;"> <div>H</div> <div>  Spring Support Pin </div> <div>2 EA</div> </div> <div style="display: flex; justify-content: space-between;"> <div>J</div> <div>  Metal Support Pins </div> <div>2 EA</div> </div> <div style="display: flex; justify-content: space-between;"> <div>K</div> <div>  Flat Washer </div> <div>4 EA</div> </div> <div style="display: flex; justify-content: space-between;"> <div>L</div> <div>  Allen Wrench </div> <div>1 EA</div> </div> <div style="display: flex; justify-content: space-between;"> <div>M</div> <div>  Caster Wrench </div> <div>1 EA</div> </div>			

Tools required: Phillips Head Screwdriver

***Should you require assistance during assembly,
please call our Customer Service Department
Monday - Friday 8 a.m. - 5 p.m.
Central Standard Time
Toll-Free Customer Service
1-800-749-2258***



Pneu-Lect Assembly Diagram



To Assemble:

Identify and Separate all the Parts and Hardware.

Illustration # 1

1. Place the Left Side Panel (P-1) with the Predrilled holes facing up and install 2 each Cam Posts (G) in the 2 threaded insert nuts (Pre-installed) as shown in illustration # 1.

2. Install 2 each Cam Locks (F) into the large holes as shown in illustration # 1.

3. Repeat Steps 1-2 for the Right Side Panel (P-2).

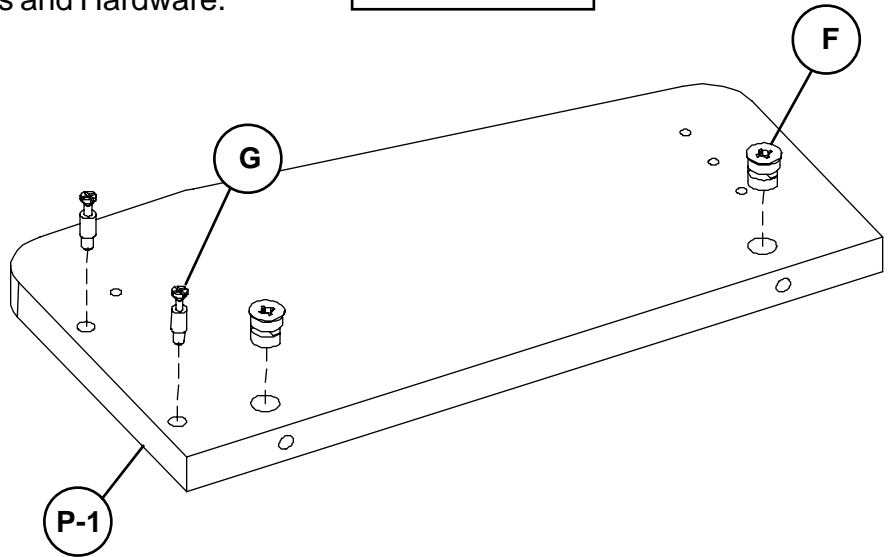
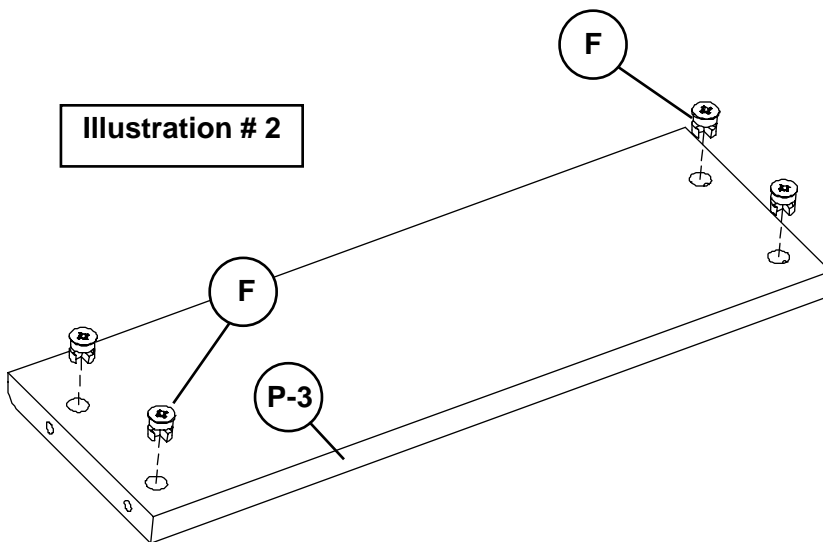
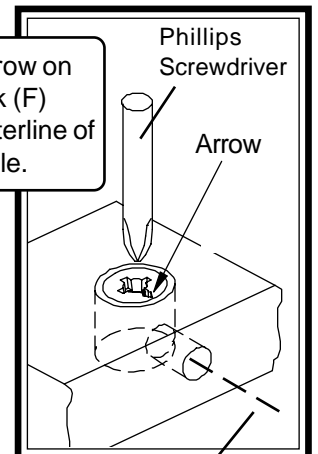


Illustration # 2



Be sure that arrow on top of Camlock (F) aligns with centerline of Edge Drilled hole.



Centerline of Edge Drilled hole.

4. Place the Back Panel (P-3) with the Predrilled holes facing up and install 4 each Cam Locks (F) into the large holes as shown in illustration # 2.

Missing Parts or UPS Damaged Parts

For Your Convenience you can
EMAIL us at

furniture@baltinc.com

24HOURS 7 DAYS A WEEK



5. Place the Slanted Shelf (P-4) with the Holes facing up. Attach Paper Stop (P-9) to the Slanted Shelf (P-4) using 2 each short screws (A) as shown in illustration # 3. (Finger tighten only.)

6. Insert 2 each Spring Support Pins (H) into the holes in both sides of the Slanted Shelf (P-4) as shown in illustration # 3.

7. Attach Side Panels (P-1 & P-2) to the Back Panel (P-3) and the Slanted Shelf (P-4) as shown in illustration #4. Secure by turning the Cam Locks (F) 1/4" Turn until they lock.

Illustration # 3

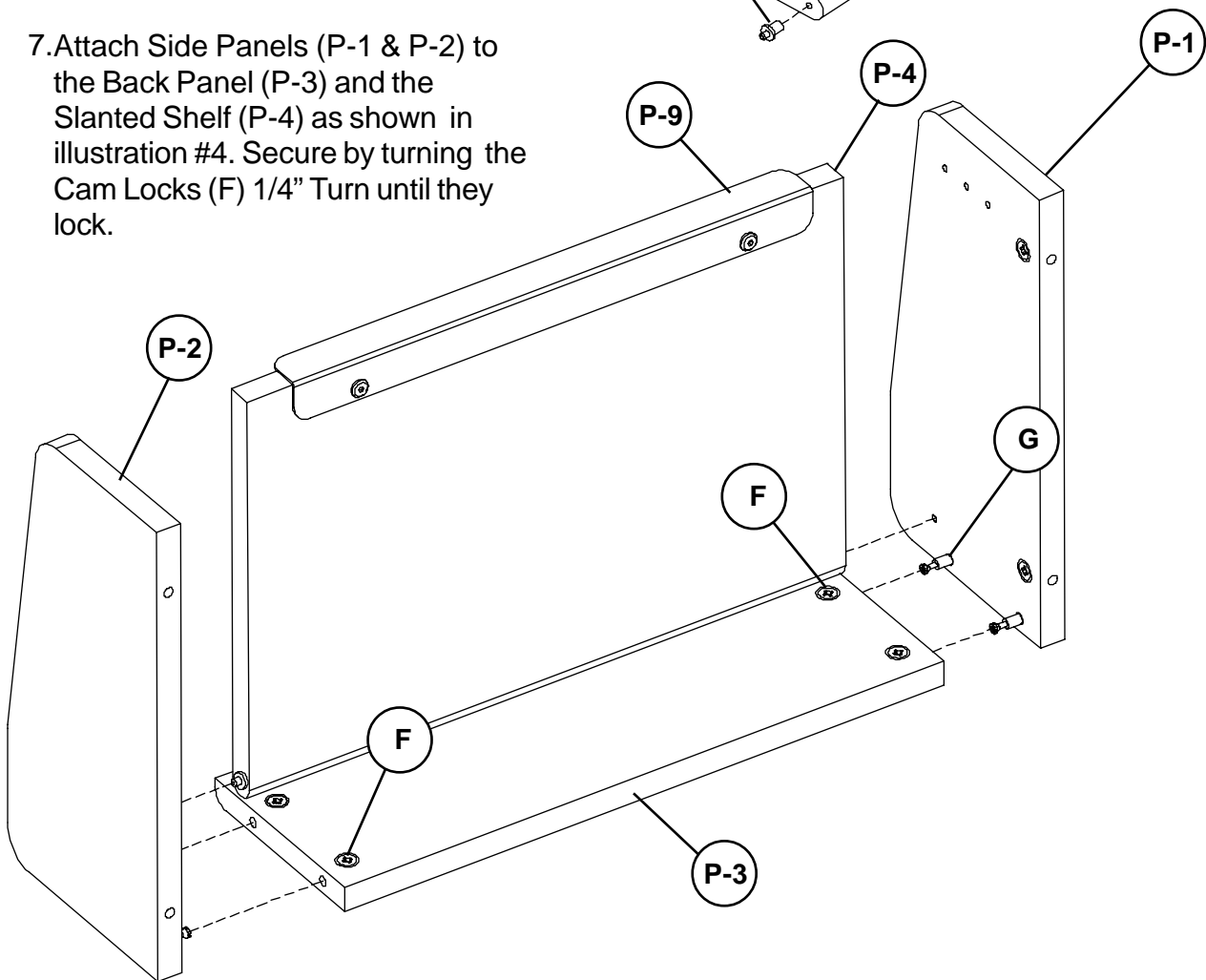
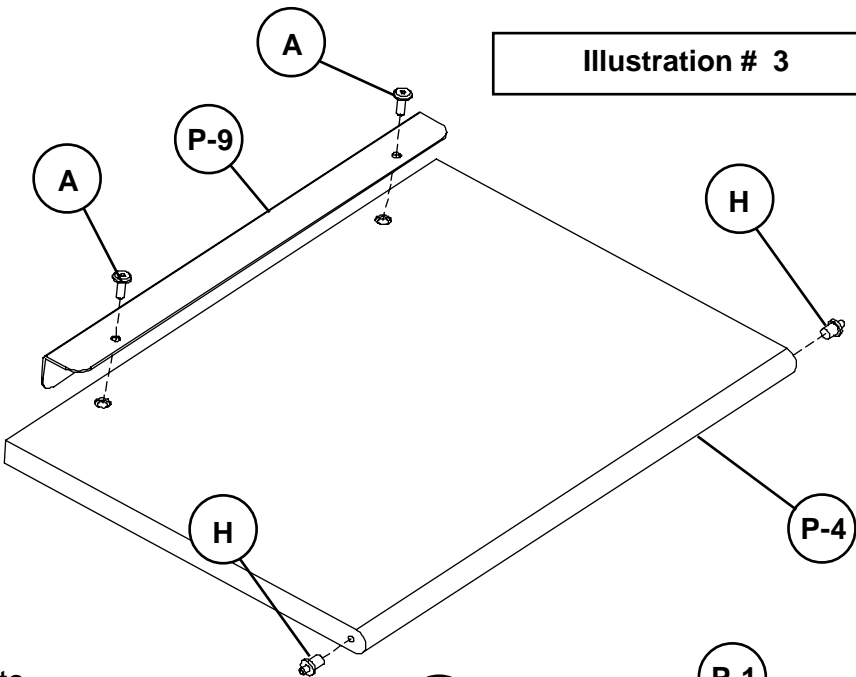


Illustration # 4

To Secure Cam Locks, Insert Large Phillips Head Screwdriver and turn Cam Lock 1/4 turn (90 degrees) clockwise.

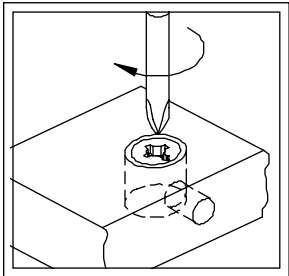


Illustration # 5

8. Place the Top Platform (P-5) with the Pre-drilled holes facing up and install 4 each Cam Posts (G) in the 4 threaded insert nuts (Pre-installed) as shown in illustration # 5.

9. Slide Left Side Panel (P-1) & Right Side Panel (P-2) over the Cam Posts (G) as shown in illustration # 5. Secure by turning the Cam Locks (F) 1/4 turn until they lock.

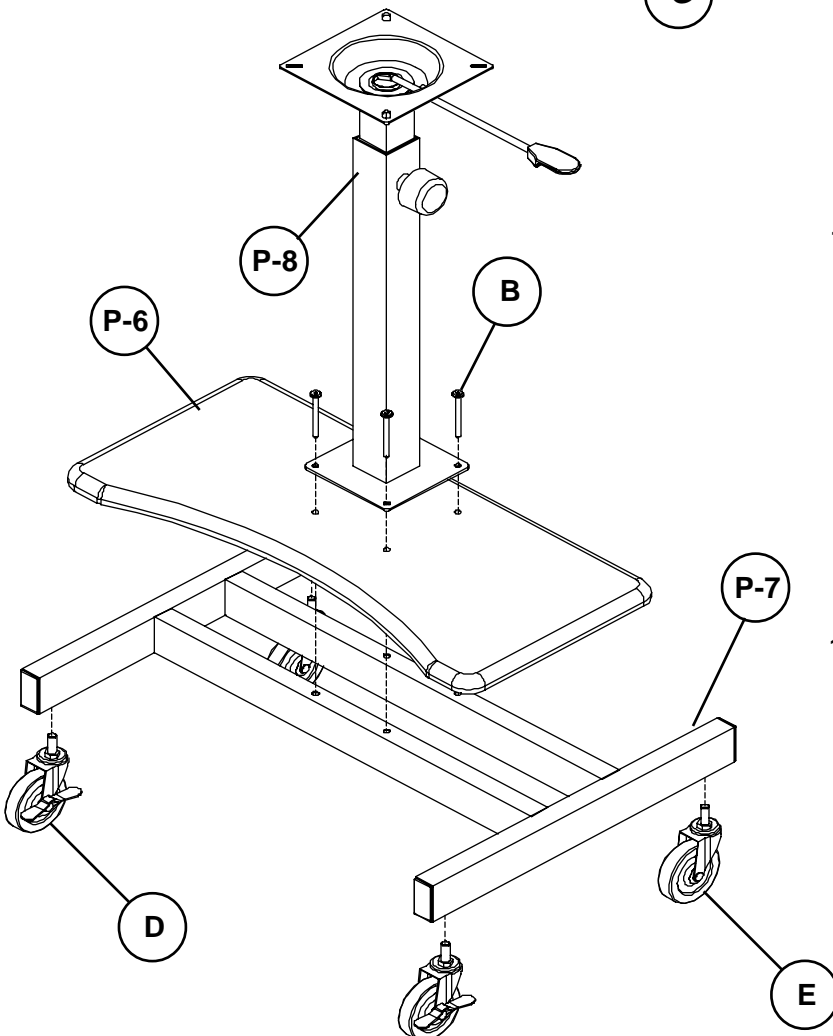
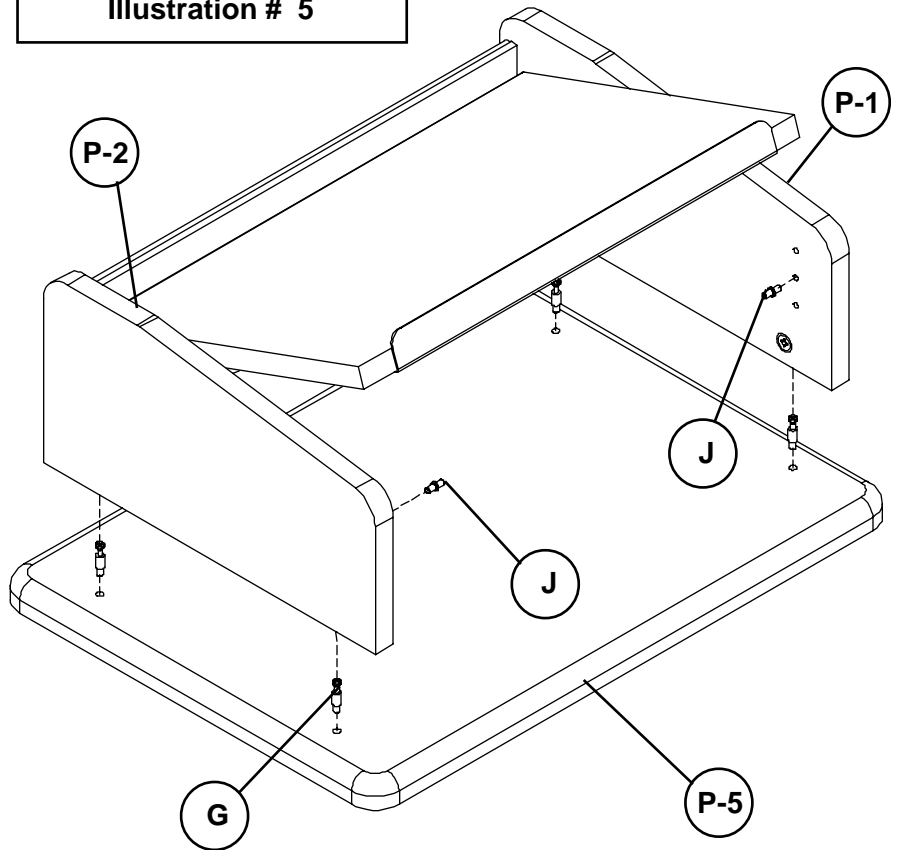


Illustration # 6

10. Place 1 Shelf Support Pin (J) in Left Side Panel (P-1) & Right Side Panel (P-2) at desired shelf height.

11. Attach the Pneumatic Column (P-8) to the Base Platform (P-6) and to the Base (P-7) using 4 each long screws (B) as shown in illustration #6. (Finger tighten only.)

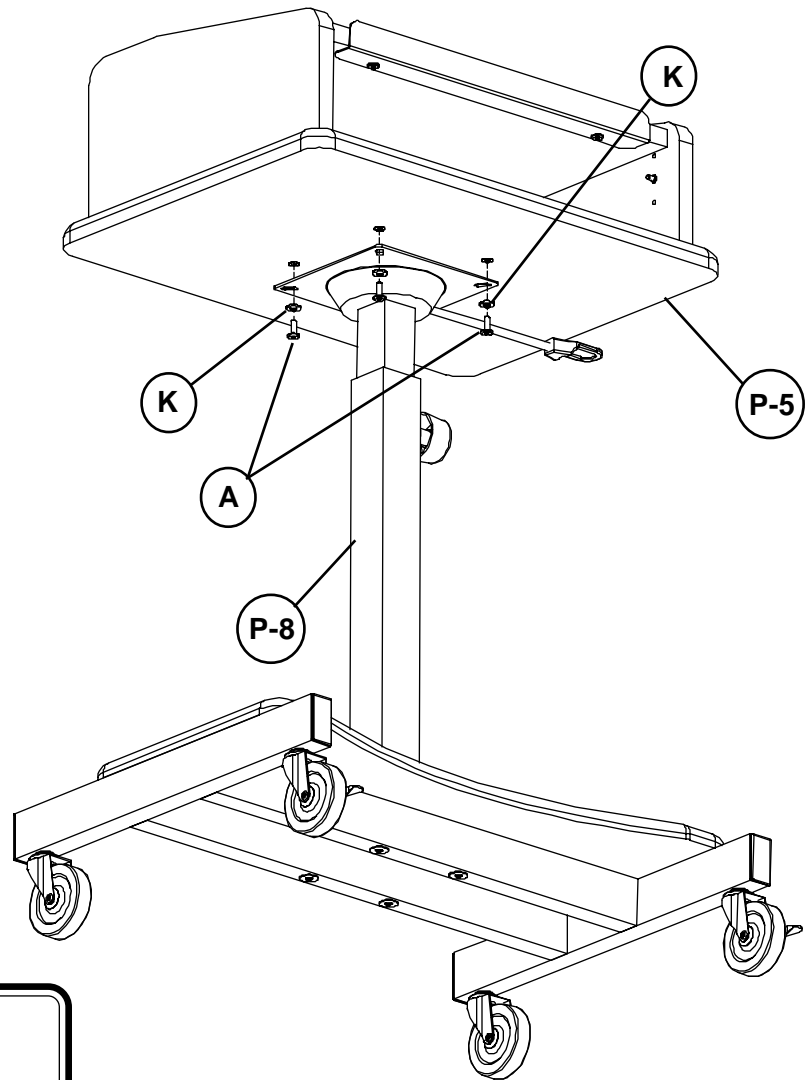
12. Attach 2 Locking Casters (D) to the front, and 2 Casters (E) to the back of the Metal Base (P-7). Tighten all Casters using Caster Wrench (M).





13. Attach Top Platform (P-5) to the Pneumatic Column (P-8) using 4 each short screws (A) and 4 each Flat Washers (K) as shown in illustration #7.
(Finger tighten only.)

14. Tighten all socket head screws using allen wrench (L).



Height Adjustment

To raise height of platform, loosen adjustment knob (C) and press handle on height adjustment bracket upward toward top. The pneumatic cylinder will begin lifting the unit, and you can release handle at the desired height. Secure platform at desired height by tightening adjustment knob (C).

To lower height of platform, loosen adjustment knob (C) and press handle on height adjustment bracket upward toward top. Press on center of Top Platform using body weight. Top Platform will lower and you can release handle at the desired height. Secure platform at desired height by tightening adjustment knob (C).

Do not use unless all screws are tight. At least every six months, check all screws to be sure they are tight. If parts are missing, broken, damaged, or worn, stop use of the product until repairs are made by your dealer using factory authorized parts.