

CABLE GRIDS

CABLE GRIDS • STEEL

Part #	Dimensions
9060-11848x	18"h x 48"w
9060-13048x	30"h x 48"w
9060-14248x	42"h x 48"w
9060-15437x	54"h x 37"w
9060-15445x	54"h x 45"w
9060-15448x	54"h x 48"w

CABLE GRID ACCESSORIES

GRID FRAMING CLIP KIT

Part #	Description
9065-800000Y	2 clips

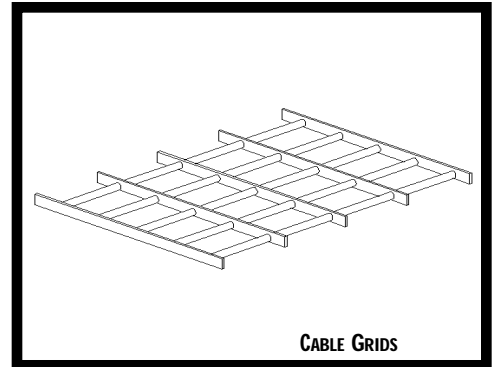
BRACKET KIT FOR CABLE GRID

Part #	Dimensions
9065-400000Y	2" x 3/8" Auxiliary Framing
9065-410000Y	2" x 9/16" Auxiliary Framing

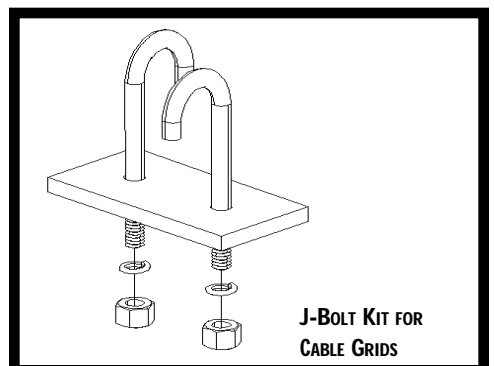
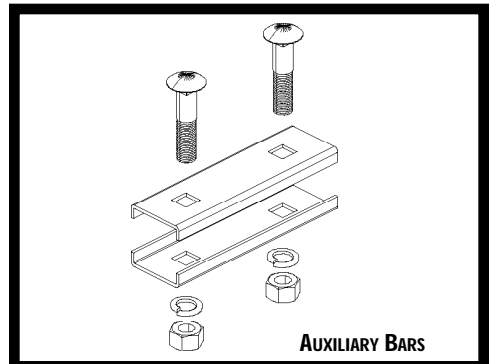
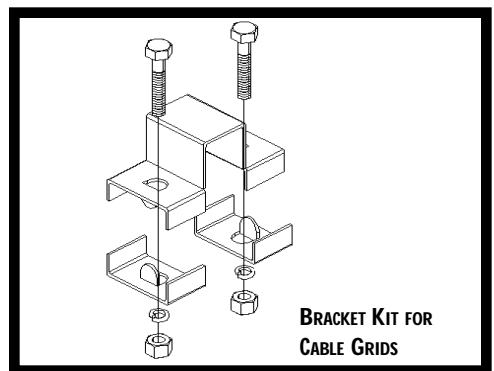
J BOLT KIT FOR CABLE GRIDS

Part #	Dimensions
9065-3001500Y	1" x 2" Channel, 1 1/2" Stringer

Part # Info: 18 = Length 48 = width x = color



Part # Info: 8 = clips (hardware)



Color Pallet For
Cable Grids

X =

1 = black
4 = cool grey
6 = off white
y = yellow zinc

Ver. A