

# Desks

1. Choose Desk size
2. Choose accessories

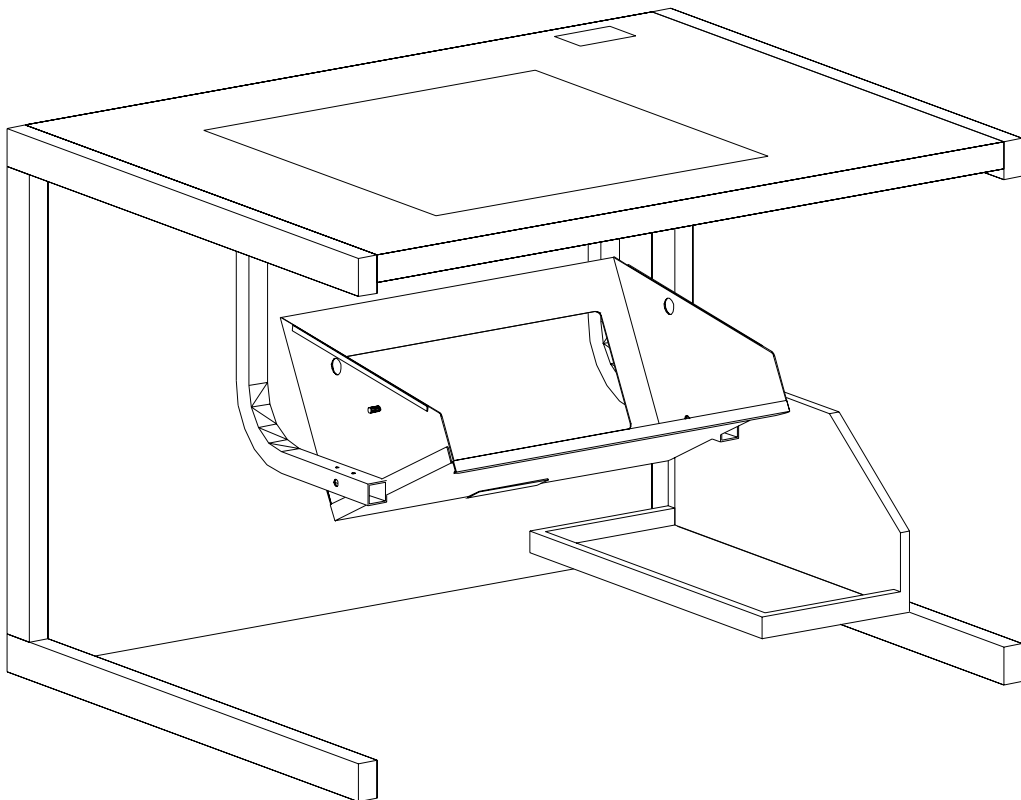
Available colors for the Desk Line:

Desk top is available in Cool Grey (GV1) only. Legs are available in Black (BLK) only

## Conversion Kit

1. Choose kit

**Note:** Desk must be 1<sup>1/8</sup>" thick and 30" deep to accept conversion kit.



**PLEASE CALL AN EDP REPRESENTATIVE FOR CURRENT LEAD-TIMES.**

# Desk Line

## Part # Description

### Learning Line Workstations

**2536-SD 36" PRECONFIGURED WORKSTATION**  
36"W x 30"D x 30"H (91cm x 76cm x 76cm) **(WITH MONITOR BUCKET AND KEYBOARD DRAWER)**  
Shipping Wt: 104 Lbs / 47 kg.

---

**2548-SD 48" PRECONFIGURED WORKSTATION**  
48"W x 30"D x 30"H (122cm x 76cm x 76cm) **(WITH MONITOR BUCKET AND KEYBOARD DRAWER)**  
Shipping Wt: 124 Lbs / 56 kg.

---

### Learning Line Accessories

**2536-01 CPU SHELF**  
8"W x 18"D x 8"H (20cm x 46cm x 20cm)  
Shipping Wt: 25 Lbs / 11 kg.

---

**2536-02 6 OUTLET POWER STRIP**  
3"W x 2"D x 14"H (8cm x 5cm x 36cm)  
Shipping Wt: 4 Lbs / 2 kg.

---

**2536-03 CASTERS (SET OF 4, 2 LOCKING)**  
3" Diameter  
Shipping Wt: 5 Lbs / 2 kg.

---

**2250000 VIEWPORT VISOR**  
18"W x 11<sup>1</sup>/<sub>2</sub>"D x 6"H (46cm x 29cm x 15cm)  
Shipping Wt: 2 Lbs / 1 kg.

---

### Conversions Kits

**226210 SERIES 1000 CONVERSION KIT**  
28"W x 24"D x 21"H (71cm x 61cm x 53cm) **(STANDARD MONITOR SHELF AND STANDARD KEYBOARD DRAWER)**  
Shipping Wt: 45 Lbs / 20 kg.

---

**226230 SERIES 3000 CONVERSION KIT**  
28"W x 24"D x 21"H (71cm x 61cm x 53cm) **(STANDARD MONITOR SHELF AND ARTICULATING KEYBOARD DRAWER)**  
Shipping Wt: 53 Lbs / 24 kg.